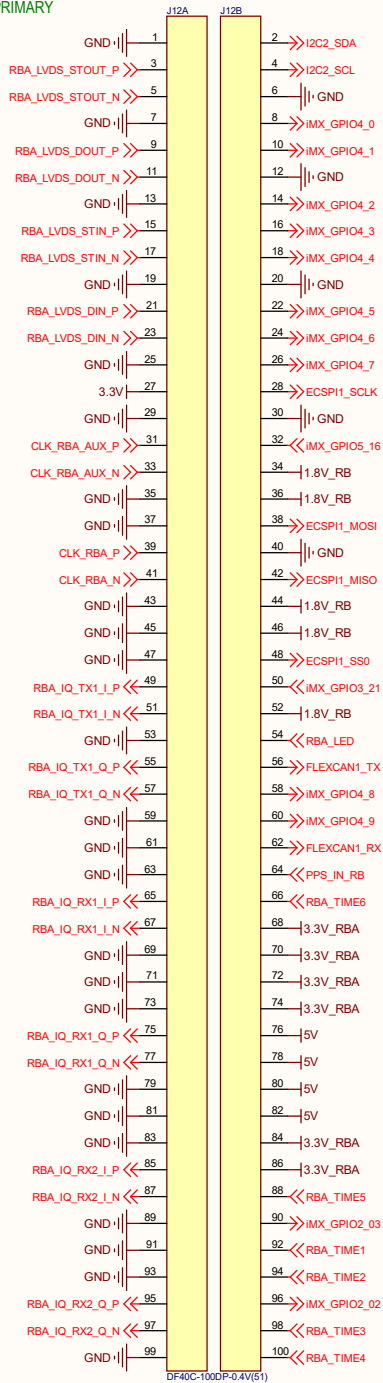
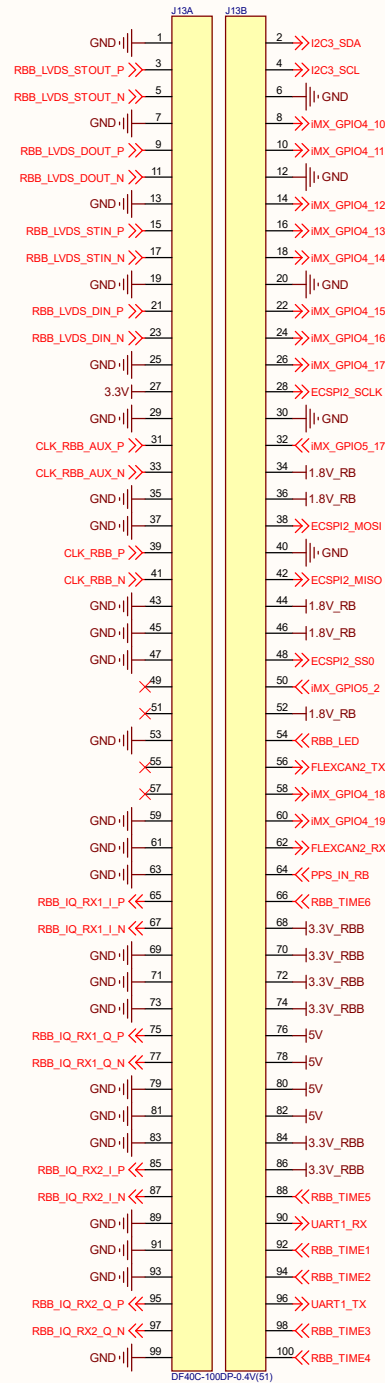


PRIMARY



DF40C-100DP-0.4V(51)

SECONDARY



DF40C-100DP-0.4V(51)

